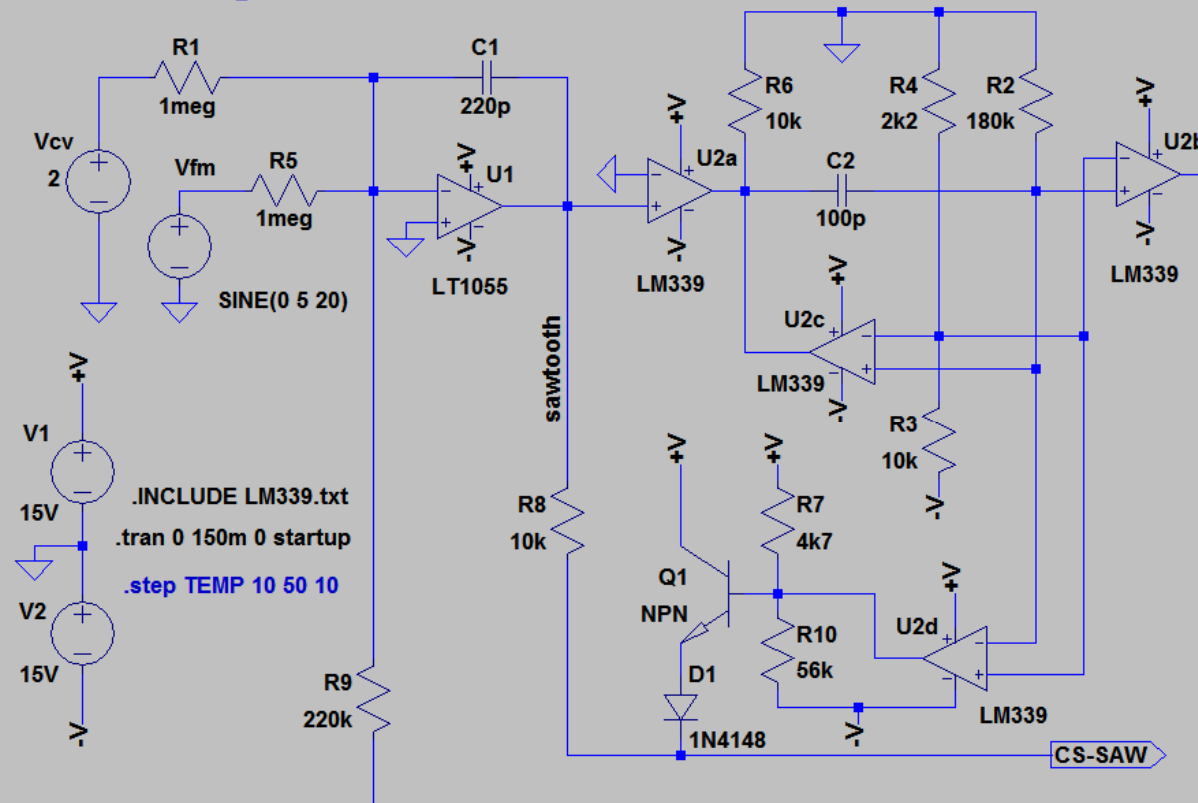


## CS-style VCO



simple : 1 OPamp , 1 QuadComparator, some discretes  
 should be very stable and linear ( if power supply has "reference voltage" quality , please prove:-) )  
 CS- style sawtooth with "punch waveshaping" ( whoever needs this, I don't )  
 Uwe Schüler 3/2013