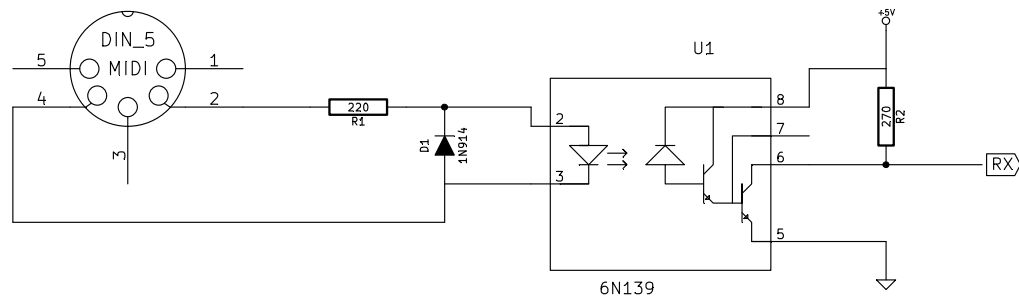


# MIDI in Board



File:	
Sheet: /	
<b>Title:</b> Midi In Board	
Size: A4	Date: 5 oct 2013
KiCad E.D.A. eeschema (2013-03-31 BZR 4008)-stable	<b>Rev:</b> 1/1